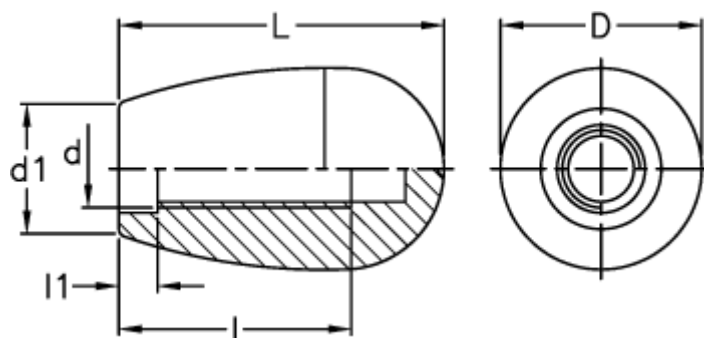


Data Sheet



Article number: 2304021402
Description: E+G Handle
I.222/90-M16

Measures



d = M16

D = 41

d1 = 25

l = 55

L = 87

l1 = 14